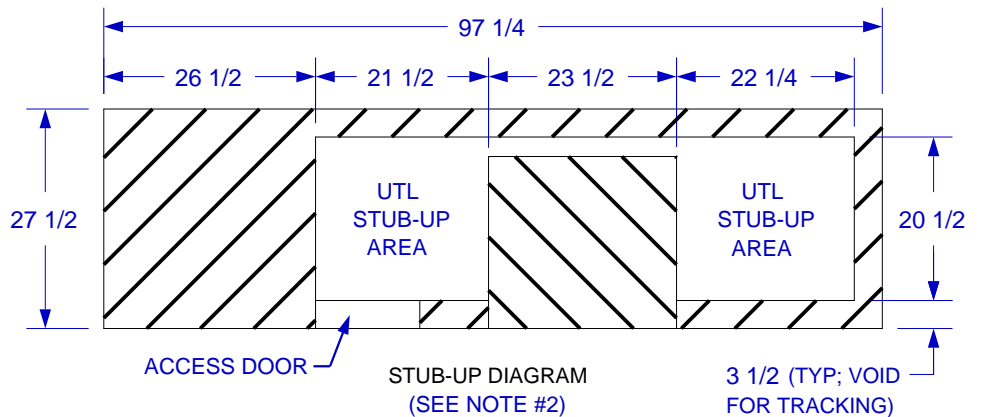
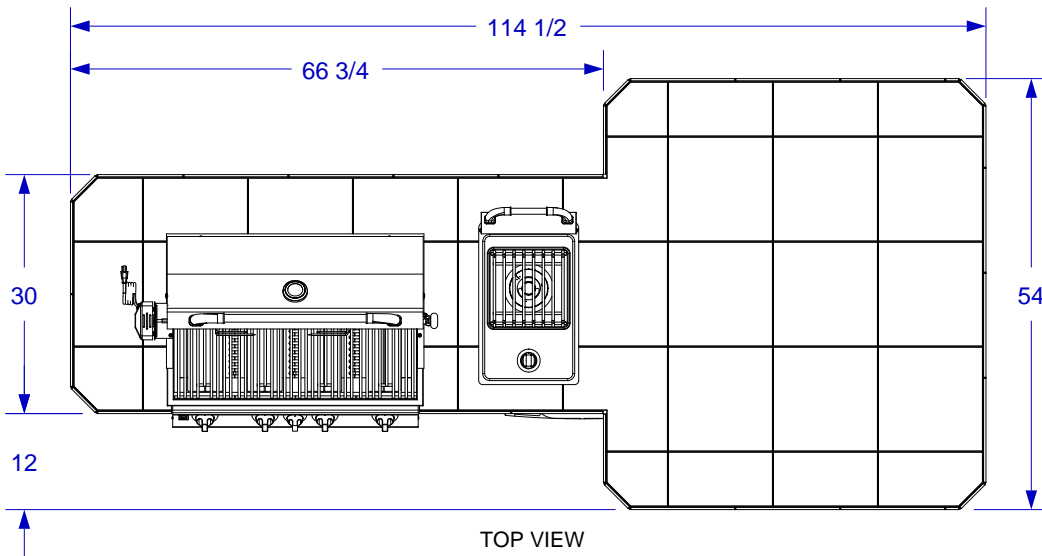
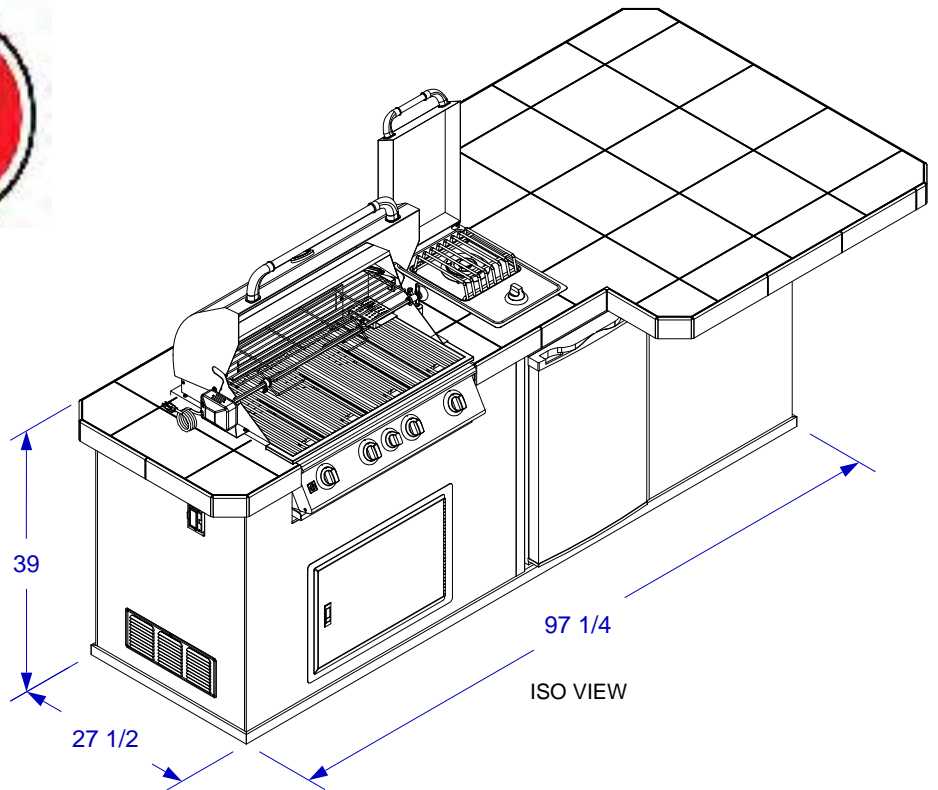




# MATADOR ISLAND

## SPEC SHEET



- NOTES:**
1. FOR ROCK FINISHES, ADD 1 1/2" ON ALL BASE SIDES.
  2. 6" MAX HEIGHT ON ALL STUB-UPS.
  3. SHOWN WITH STANDARD 4-BURNER ANGUS GRILL.
  4. SCALE: 1/2" = 1'-0"
  5. REVISION: 10/2009